

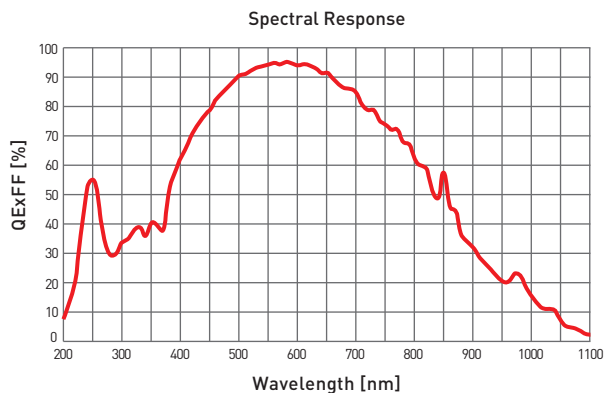
Ultra-large sCMOS Camera

Dhyana 6060BSI

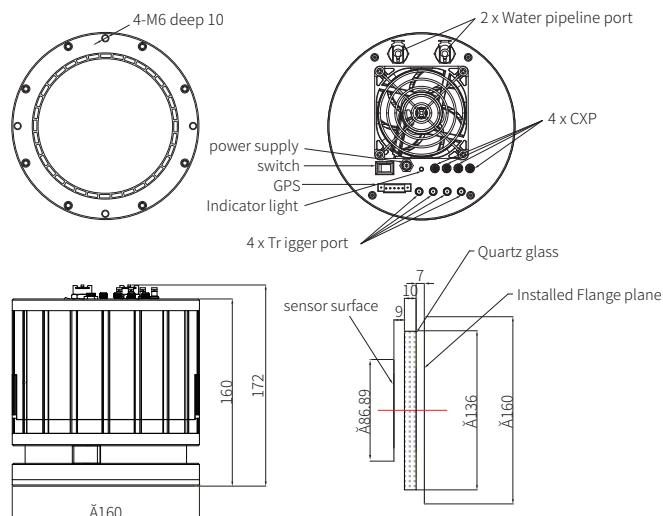


Product Advantages

- 61.4mm x 61.4mm area
- 102ke- full well capacity
- 95%@580nm
- CXP high-speed interface
- GPS supported



Product structure



Specifications

| | |
|------------------------|--|
| Model | Dhyana 6060BSI |
| Sensor model | BSI sCMOS |
| Shutter type | Rolling |
| Color/Mono | Mono |
| Effective area | 61.4mm x 61.4mm |
| Resolution | 6144(H) x 6144(V) |
| Pixel size | 10μm x 10μm |
| QE | 95%@580nm |
| Full-Well capacity | 102ke- |
| Dynamic Range | 90dB |
| Frame rate | 26.4 fps @ 12 bit STD, 11.3 fps @ 16 bit HDR, 8.6 fps @ 14 bit STD |
| Readout noise | 3e- (Median) |
| Exposure time | 12μs-300s |
| DSNU | 1.5e- |
| PRNU | 0.2% |
| Cooling Method | Air & Liquid |
| Max. Cooling | Air: -35°C; Liquid: -45°C |
| Cooling temperature | Air: (Ambient at +20):-15°C; Liquid: -25°C@20°C |
| Dark current | Air: 0.25e-/pixel/s; Liquid: 0.15e-/pixel/s |
| Binning | 2x2, 4x4 |
| ROI | Support |
| TimeStamp accuracy | 1 μs accuracy |
| GPS | Support |
| Trigger Mode | Hardware & Software |
| Output Trigger Signals | Exposure, Global, Readout, High level, Low level |
| Trigger Interface | SMA |
| Data Interface | CXP12 |
| Data Bit Depth | 12bit, 14bit, 16bit |
| Optical Interface | User-customization |
| Power Supply | 12V/10A |
| Power Consumption | <100W |
| Dimensions | φ160 (Diameter) x 164 mm (length) |
| Weight | ~4kg |
| Software | Samplepro/MAXIMDL/Labview/Matlab/EPICS |
| SDK | C/C++/C# |
| Operating System | Windows/Linux |
| Operating Environment | Working: Temperature -35~45°C/Humidity 0~95% Storage: Temperature -35~60°C/Humidity 0~95% |

Tucsen Photonics Co., Ltd.

Tel: +86-591-28055080

Email: support@tucsen.com

Add: 5# Wanwushe Smart Industrial Park, No.2 Yangqi Branch Rd, Gaishan Town, Cangshan Area, Fuzhou, Fujian, PRC, China.

www.tucsen.com