

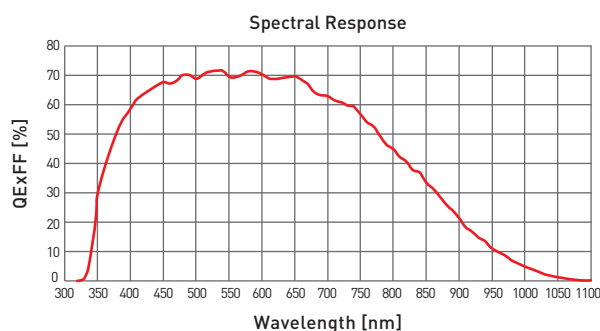
Ultra-large sCMOS Camera

Dhyana 6060

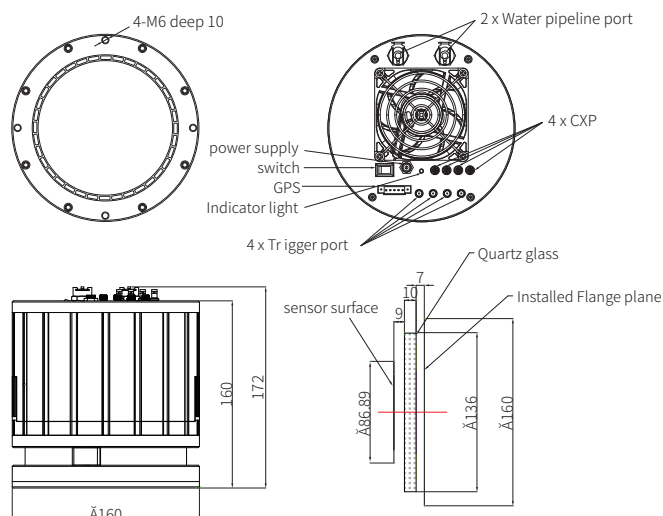


Product Advantages

- 5.4 ultra-large area array
- CXP high-speed interface
- 133ke- full well capacity
- 72%@550nm
- 44fps@Frame rate at full resolution



Product structure



Specifications

Model	Dhyana 6060
Sensor model	FSI sCMOS
Shutter type	Rolling
Color/Mono	Mono
Effective area	61.4mm x 61.4mm
Resolution	6144(H) x 6144(V)
Pixel size	10μm x 10μm
QE	72%@550nm
Full-Well capacity	133ke-
Dynamic Range	91dB
Frame rate	44fps @ 12-bit STD; 19fps @ 12-bit HDR; 14fps @ 14-bit STD
Readout noise	3e- (Median)
Exposure time	7μs-300s
DSNU	1.5e-
PRNU	0.2%
Cooling Method	Air & Liquid
Max. Cooling	Air: -35°C; Liquid: -45°C
Cooling temperature	Air: (Ambient at +20):-15°C; Liquid: -25°C@20°C
Dark current	Air: 0.25e-/pixel/s; Liquid: 0.15e-/pixel/s
Binning	2x2, 4x4
ROI	Support
TimeStamp accuracy	1 μs accuracy
GPS	Support
Trigger Mode	Hardware & Software
Output Trigger Signals	Exposure, Global, Readout, High level, Low level
Trigger Interface	SMA
Data Interface	CXP12
Data Bit Depth	12bit, 14bit, 16bit
Optical Interface	User-customization
Power Supply	12V/10A
Power Consumption	<100W
Dimensions	φ160 (Diameter) x 164 mm (length)
Weight	~4kg
Software	Samplepro/MAXIMDL/Labview/Matlab/EPICS
SDK	C/C++/C#
Operating System	Windows/Linux
Operating Environment	Working: Temperature -35~45°C/Humidity 0~95%; Storage: Temperature -35~60°C/Humidity 0~95%