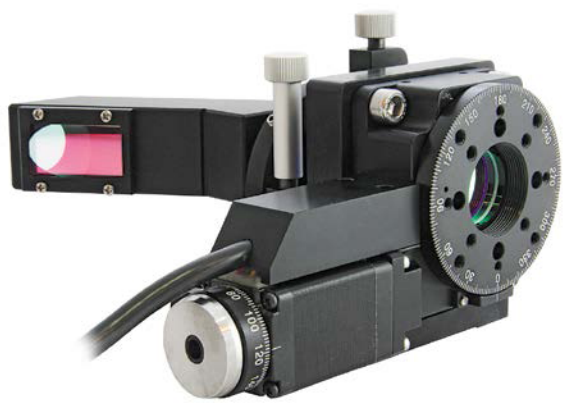


MOTORIZED VARIABLE ATTENUATOR FOR LINEARLY POLARIZED LASER BEAM – 990-0070M



This motorized variable attenuator/beamsplitter consists of special design opto-mechanical Adapter and precision opto-mechanical holder 840-0193. Two Thin Film Brewster type polarizers, which reflect s-polarized light while transmitting p-polarized light, are housed into Adapter. Quartz Half Waveplates are housed in motorized rotation stage 960-0161.

The intensity ratio of those two beams may be continuously varied without alteration of other beam parameters by rotating the waveplate. The intensity of either exit beam, or their intensity ratio, can be controlled over a wide dynamic range. P-polarization could be selected for maximum transmission, or high-purity s-polarization could be reflected when maximum attenuation of the transmitted beam takes place. The holder 840-0193 allows to adjust Angle Of Incidence of the Thin Film Brewster type polarizers by $\pm 2^\circ$ and to get the maximum polarization contrast.

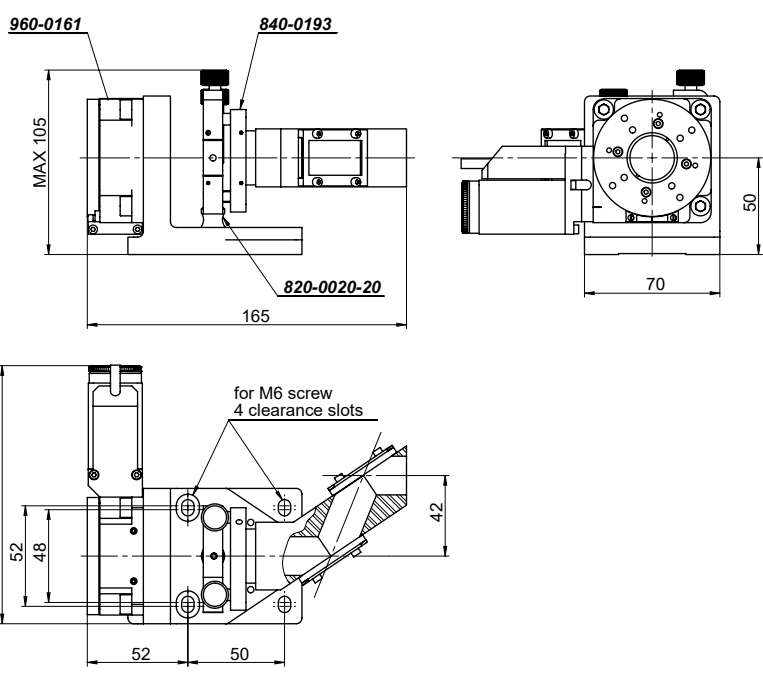
Ordering information

Please note: these motorized variable attenuators for linearly polarized laser beam are provided without controller and power supply. If you would like to order the complete solution (controller 980-1045 and power supply: PS12-1.5-4), please add CP to code and 695 EUR to price.

Example:

990-0070-266M – motorized attenuator without controller and power supply.

990-0070-266M+CP – motorized attenuator with controller and power supply.



For Nd:YAG Laser Applications

Wavelength, nm	Catalogue number
266	990-0070-266HM *
355	990-0070-355M
532	990-0070-532M
1064	990-0070-1064M

Multi order half waveplate is housed in Motorized Rotation Stage 960-0161 and Polarizer with adapter in Kinematic Optical Mount 840-0193 for Nd:YAG laser application (laser damage threshold: 5 J/cm², 10 ns pulses, 10 Hz at 1064 nm, typical).

* With Zero Order Air-Spaced half waveplate.

For Femtosecond Applications

Wavelength, nm	Catalogue number
257	990-0070-257M
266	990-0070-266M
343	990-0070-343M
400	990-0070-400M
390-410	990-0070-400BM
515	990-0070-515M
505-525	990-0070-515BM
800	990-0070-800M
780-820	990-0070-800BM
1030	990-0070-1030M
1010-1050	990-0070-1030BM

Zero order optically contacted half waveplate is housed in Motorized Rotation Stage 960-0161 and Polarizer with adapter in Kinematic Optical Mount 840-0193 for femtosecond laser application (laser damage threshold: >10 mJ/cm², 50 fsec pulse, 800 nm typical).

For High Power Femtosecond Applications

Wavelength, nm	Catalogue number
257	990-0070-257HM
266	990-0070-266HM
343	990-0070-343HM
400	990-0070-400HM
390-410	990-0070-400HBM
515	990-0070-515HM
505-525	990-0070-515HBM
800	990-0070-800HM
780-820	990-0070-800HBM
1030	990-0070-1030HM
1010-1050	990-0070-1030HBM

Zero Order Air-Spaced half waveplate is housed in Motorized Rotation Stage 960-0161 and Polarizer with adapter in Kinematic Optical Mount 840-0193 for high power femtosecond laser application (laser damage threshold: >100 mJ/cm², 50 fsec pulse, 800 nm typical).